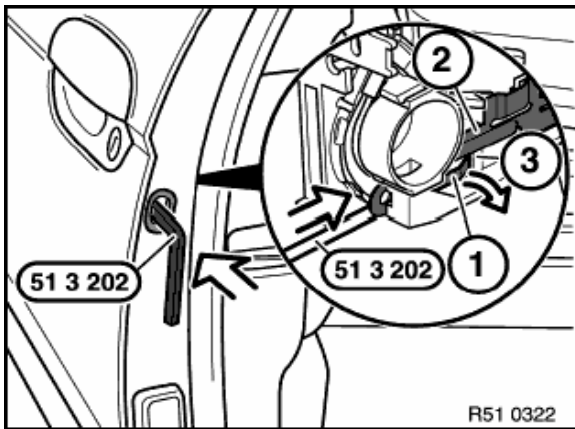
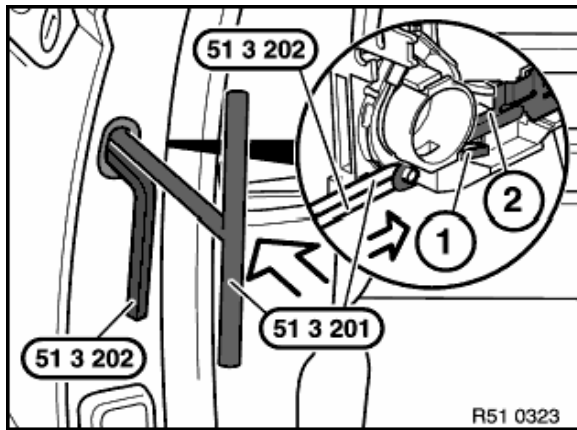


Lift out cover plate.

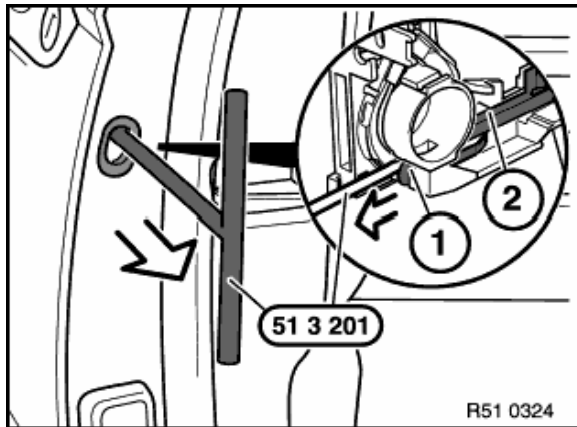


Insert special tool 51 3 202 and lever retaining tab (1) on locking plate (2) over the retaining lug (3).



Insert special tool 51 3 201 in sliding bore on locking plate (2) and press locking plate forwards with raised retaining tab (1).

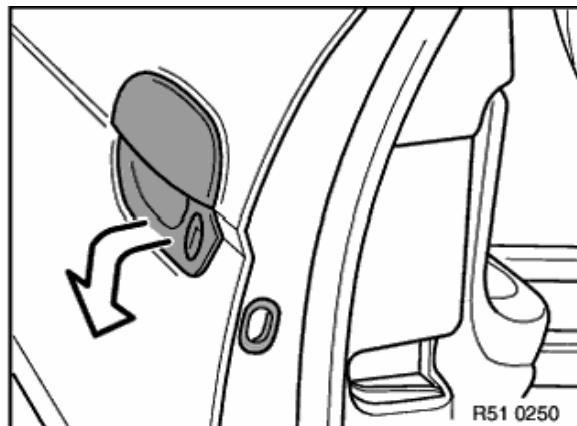
Remove both special tools.



Installation:

Insert special tool 51 3 201 in sliding bore (1) of locking plate (2) and pull it backwards.

Check function.



Up to 09/98:

Lift out lower edge of outside handle and pull obliquely downwards to remove.

From 09/98:

Caution!

Optical entry aid! A fiber optics cable is connected to the outside door handle.
Do not kink fiber optics cable.

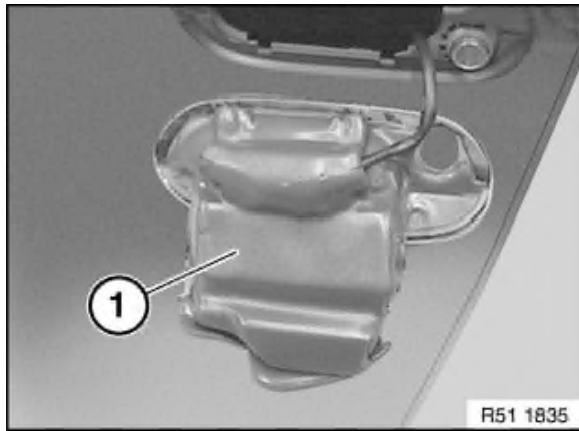
Lift out outside door handle at bottom and pull out at an angle approx. 5 cm towards bottom.

Installation:

The bending radius of the fiber optics cable must not be less than 20 mm.

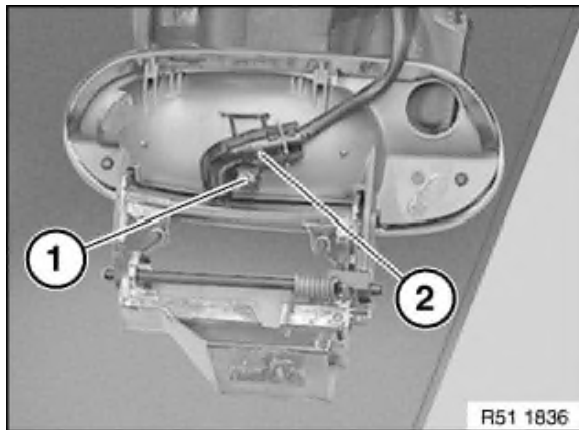
From 09/98:

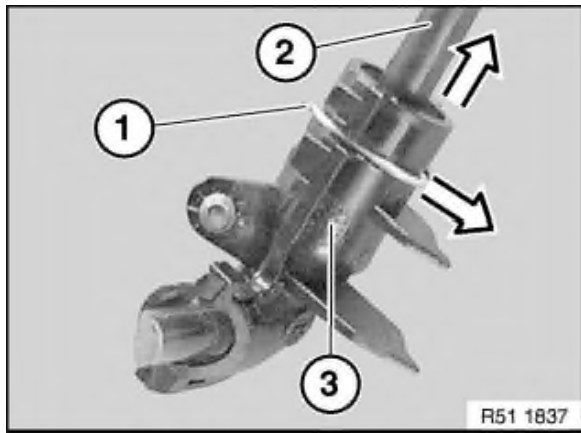
Detach inside plastic cover (1) from outside door handle.



From 09/98:

Release screw (1) and remove light output module (2) from outside door handle.





From 09/98:

If necessary, detach retainer (1).

Disconnect fiber optics cable (2) from light output module (3).